



# Joey Micro

## Instruction Manual

### V1.3



**Address**  
Command Systems Pty Ltd  
PO Box W105, Warringah Mall  
NSW 2100 Australia

**Telephone**  
+61/2/9938 4811  
**Fax**  
+61/2/9905 6153

**Email**  
sales@commandsys.com.au  
support@commandsys.com.au  
**www.commandsys.com.au**

The **Joey Micro** and **Joey Lite** are the world's most affordable, simple to program and install control systems. **Joey Micro** and **Joey Lite** are complete control packages. Both are capable of Infra Red and RS232 control including macros and are 100% customisable, both graphically and functionally.


There are 3 steps to programming a Joey Micro or Lite.

- 1) Compile Graphics
- 2) Add functionality
- 3) Print and download

To keep this manual as simple as possible, we will take a commonly-used scenario. A projector controller using a Joey Micro – and then show how to build it step-by-step. The Joey Micro will need to control projector power and source selection between PC, DVD and VCR. Also control the audio volume, either on the projector or an AV receiver.

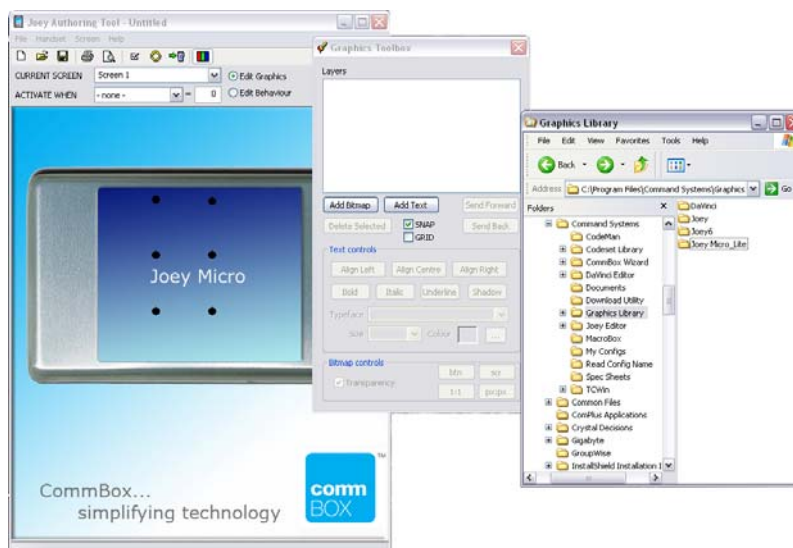
(Although a Joey Micro is shown, the same method can be used for a Joey Lite)

### Step 1 - Assembling the graphics

- 1) Open the Joey program and choose the device type.
- 2) Open an Explorer window (right click 'Start'  and click 'Explore') and navigate to your graphics library shown below:

**C:/Program Files/Command Systems/Graphics Library/Joey Micro\_Lite**

(You should now have the Joey program and an Explorer window open together.)

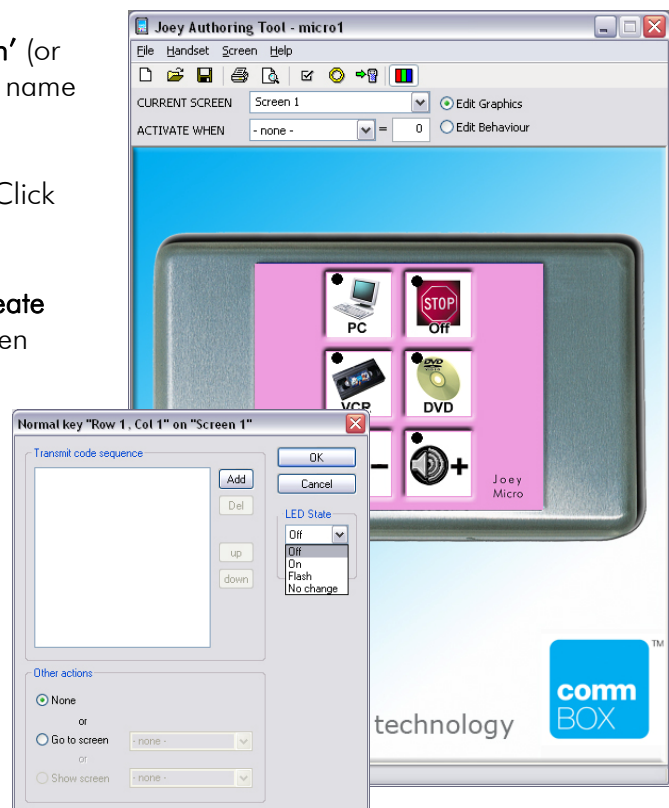


- 3) Navigate to then landscape backgrounds. Choose a suitable background and drag it onto the Joey screen and hit '**SCR**' on the right of the Joey editor panel. This will resize the BMP file to the screen size.
- 4) Navigate to the button library. Drag in the desired buttons. It is possible to make multiple selections by using the Ctrl key.
- 5) Buttons will snap into place if the '**SNAP**' feature has been activated.
- 6) Once in place, highlight each buttons and click '**BTN**'. This will automatically scale the button to the correct size.
- 7) If you want your printed image to contain LED indicator circles, go into '**Edit behavior**' mode, double click the desired button and select '**Print Circles**'.

## Step 2 - Adding functionality

You will need to be in '**Edit behavior**' mode to add functionality. In steps 1 to 7 we will assign indicator LEDs to screens so as to indicate the projector's current operating mode. In the steps that follow we will assign the actual control codes.

- 1) Rename the 1<sup>ST</sup> screen to '**Main**' (or what ever you feel is a suitable name for a first screen).
- 2) Double click the "**PC**" button. Click on '**Go to screen**'.
- 3) Drop down box and select '**Create new screen**'. Rename new screen "**PC**".
- 4) Click '**OK**'.
- 5) Now click the PC button once. Note that the current screen is now on PC. While on this screen, double click the PC button and change the LED state to '**ON**'.



- 6) Double click the System Off button. Click '**Go to screen**'. Select '**Main**'.
- 7) Repeat above steps to create the DVD and VCR screens.

To test your work, click on each button on the screen to verify that the indicator LEDs work the way they should.

Don't forget to add links from all buttons to all screens, as in (2) and (6) above, so that all logical operations are possible and your user can't get "stuck" in a screen or mode with no way out.

The next step is to add the control codes to each screen. For this example, we want to be able to change projector modes and control volume from any screen but only send a projector Power Off from the main screen.

When adding codes to buttons, you simply need to add the codes for the buttons you would need to press on the original remote controls to perform the necessary action. For example, when your user presses the "VCR" button, the following codes should be sent:

**Power On** to the projector (do not use a Toggle Power command)

**Power On** to the VCR (if available)

**Power On** to the AV Receiver (if available)

**Select VCR input** on AV receiver (if used)

**Select Video input** on the projector

- 8) To add IR and RS232 codes and macros, double click the desired button, click '**Add**', drop down the box and select '**Load New Codeset**'.
- 9) Navigate to desired codeset(s) and add codes and waits as required.

### Step 3 - Print and Download

#### i) Print

- 1) Click **'File, Print Setup'** and select desired printer, paper size and layout.
- 2) Click Print. You may wish to preview prior to printing.
- 3) Note that more than one copy can be printed per page, simply select **"many per page"** under print settings.

#### ii) Download



- 1) Ensure that you have saved your work!
- 2) Plug programming cable into PC and Click **'Handset, Download'** or click the shortcut download icon. (The Joey Micro must be powered to download.)
- 3) Click download to begin.

These instructions are intended to be as simple as possible. They do not cover the many advanced features in the Joey software such as **Codeset Find and replace**, scale to screen etc., or the advanced device control strategies you may occasionally need when controlling projectors.

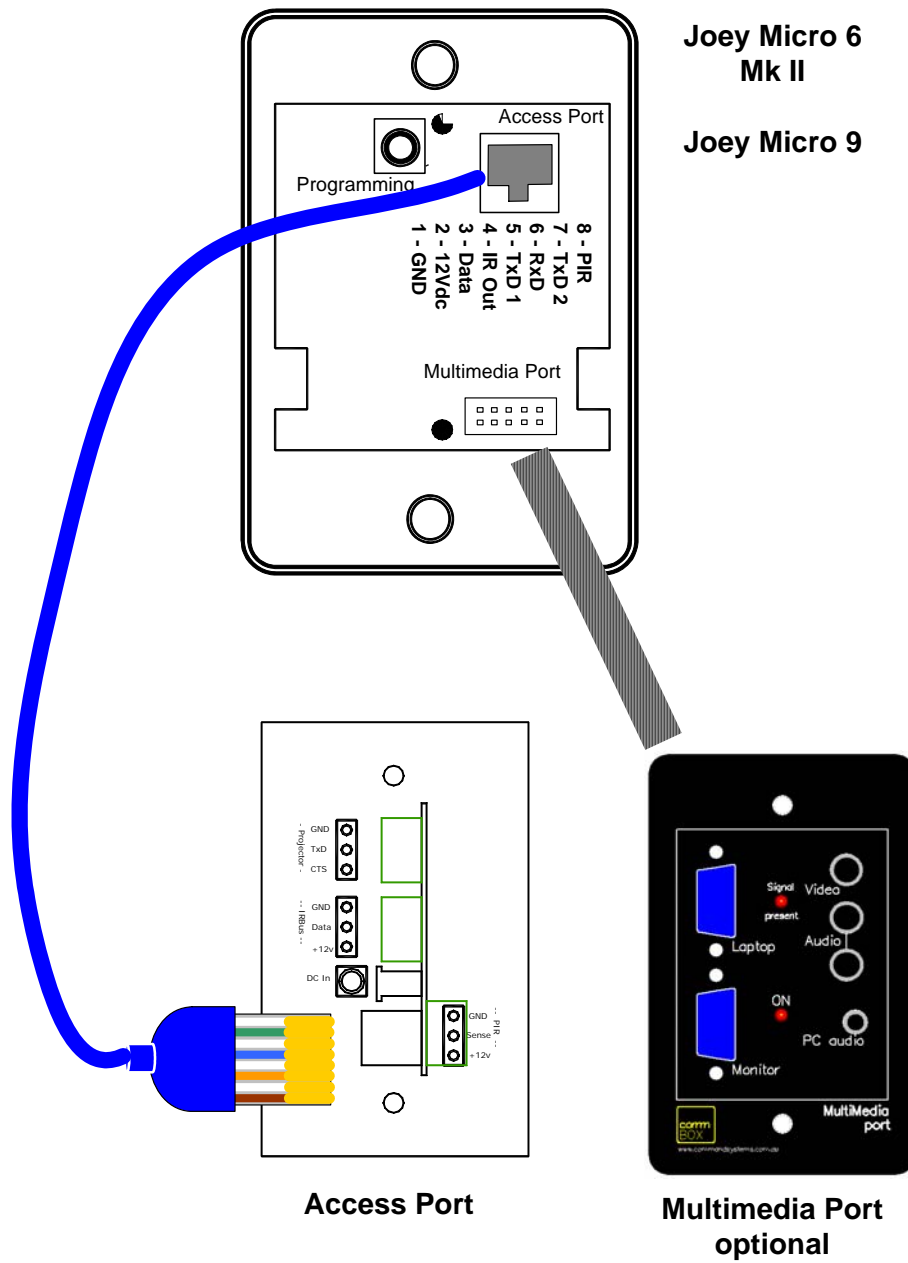
You can consult the Joey Programming manual for more information.

A comprehensive training course is provided by Command Systems.

Contact: [s.peters@commandsys.com.au](mailto:s.peters@commandsys.com.au) for further details.

		<b>Address</b> Command Systems Pty Ltd PO Box W105, Warringah Mall NSW 2100 Australia	<b>Telephone</b> +61/2/9938 4811 <b>Fax</b> +61/2/9905 6153	<b>Email</b> sales@commandsys.com.au support@commandsys.com.au <b>www.commandsys.com.au</b>
Command Systems reserves the right to change product specifications at any time for the purpose of product improvement.			Created April 1, 2003. XN908700-0965XC WERT123490	

# Connecting a Joey Micro 6 Mk II or Joey Micro 9





Congratulations on the purchase of your Joey control system.

Command Systems is committed to producing products that actively save energy and equipment, thus reducing environmental impact. We call it CommBox Climate Care.

Your Joey control system can automatically detect if a room is empty and shutdown all the equipment in the room, including lights and air-conditioning.

Additionally, the control system correctly manages projectors, switching them off when the room is not in use, which greatly increases projector lamp life.

For more information on CommBox Control panels or any other products from the range please contact:

Tel +61 (0)2 9938 4811

Email [s.peters@commandsystems.com.au](mailto:s.peters@commandsystems.com.au)