

Think GAIA
For Life and the Earth

SANYO

Ultra Short Focus Projector

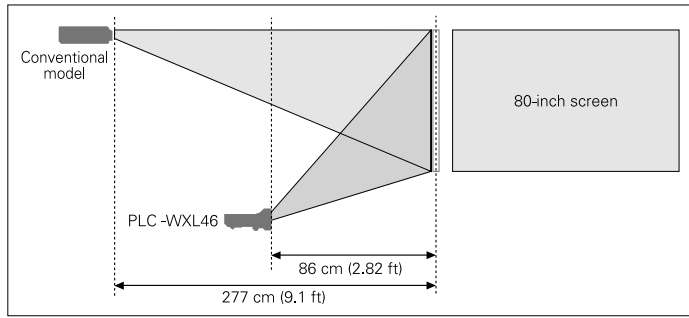
PLC-WXL46

***Enables Space Saving Projection,
Powerful Solution for Classroom and Office***



Projection from 86 cm away, with the short focal length lens.

The PLC-WXL46 can project a full 80-inch image from a distance of only 86 cm. Teachers can project images onto the blackboard right from their desk. This means they can use large images even in relatively small rooms. When teacher or student make a presentation in front of projector, the projection light doesn't get into their eyes.



Space saving design

The use of a short-throw lens makes it possible to move the projector from the center of the classroom or meeting room, to a spot closer to the screen. This frees up more room space, and cuts down on the possibility of viewers blocking the image with their shadows.

True Wide XGA Resolution (1280 x 800)

Compatible with wide screen laptops for a true wide screen WXGA (16:10) presentation.

Compact, Fully Portable Design

Not much larger than a laptop PC, the PLC-WXL46 weighs less than 3.4 kg (7.5 lbs) and delivers high picture quality in a versatile, go-anywhere system.

Wired LAN (RJ-45) for projector control

This model is equipped with Wired LAN (RJ-45) that allows you to manage and control projector via Network. It is possible to check the operating time of lamp and manage the warning notification by Email. Power ON/OFF and switching of input signal can be controlled. You can save a lot of time about manage and control.

Power-Off and Go

No need to wait for the projector to cool down. You can disconnect the power cord right after your presentation.

Other Features

- Security functions: Locked operation for projector and remote control buttons, and a password to prevent operation and projection-logo changes.
- Versatile presentation support functions: Presentation timer, freeze, no show.
- Undistorted images: Vertical keystone correction.



All products manufactured by the Projector Division of SANYO's Digital System Company employ a quality management system that has undergone the inspection and registration process of the ISO 9001 international standard.

<http://www.sanyo-lcdp.com/>

Caution: Please consult the instruction manual to ensure safe and proper operation of the product.

Distributed by:

Specifications

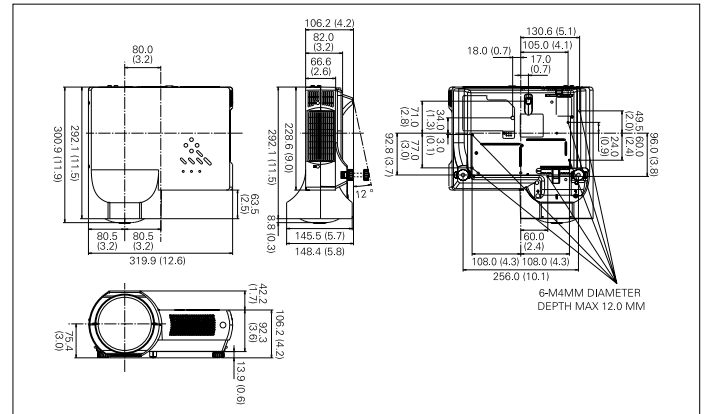
Model name	PLC-WXL46
Panel	0.59 inch TFT p-Si x 3
Number of pixels	1280 x 800 x 3 dots
Projection lamp	200W UHP
Brightness *1	2,000 lm (Lamp mode : Normal)
Contrast *1	500 : 1 (Lamp mode : Normal, Image mode : Dynamic)
Uniformity *1	80 % (corner to center)
Projection lens	F1.80, f = 6.60 mm (0.3"), Fixed Short Focus
Screen size	50" - 110" 0.53 m - 1.20 m (1.74 - 3.94 ft) 0.86 m (2.82 ft) at 80"
SD / HDTV signals	480i, 480p, 575i, 575p, 720p and 1080i
Color systems	PAL / SECAM/ NTSC / NTSC4.43 / PAL-M/N
Video Signal	Composite, S-Video, Component
Video Terminal	RCA x 1 : Composite Video, Mini-DIN 4-pin : S-Video
Computer compatibility	(UXGA / SXGA) WXGA / XGA / SVGA / VGA / MAC
Computer Terminal	D-sub 15 pin for Input, D-sub 15 pin for Input or Monitor out *2
Audio	RCA (L / R) for Video Input, Mini-Jack (Stereo) for Computer Input, Mini-Jack (Stereo) for output (variable)
Communication Terminal	RJ45 (for LAN), Service Port (RS-232C)
Presentation Tool	Freeze / Digital Zoom / No Show / etc
Other Feature	Progressive, 3-2 & 2-2 pull down, LTI & CTI, User Logo
Scanning frequency	H sync 15 - 100 kHz, V sync 50 - 100 Hz Dot clock 140 MHz
Sound output	1.0 W Mono
Voltage	100 V - 240 V AC (auto voltage)
Power consumption	275 W (Normal) / 200 W (Eco) : 100 - 120 V AC 250 W (Normal) / 190 W (Eco) : 200 - 240 V AC
Dimensions (W x H x D)	319.9 x 145.5 x 300.9 mm (12.6" x 5.7" x 11.8")
Weight	3.4 kg (7.5 lbs)
Accessory	Quick reference guide, Owner's manual (CD-ROM), CD-ROM read me note, PIN code Label, UL cable card, Power cord, Computer cable (Dsub15-Dsub15), Remote control, AA Battery x 2, Strap for lens cap, CD ROM (Application software for Network)

Replacement Lamp Type No.: POA-LMP106

*1 Measurement, measuring conditions, and method of notation all comply with ISO 21118 international standards.
*2 For analog signal only, limitations on certain output signals. Does not support all types of input signals.
* All product names and company names are trademarks or registered trademarks of their respective companies.
*Design of the products, specifications are subject to change without notice.



Dimensions (unit: mm (inch))



Approximate throw distance / picture size Aspect Ratio 16 : 10

Screen Size	50"	60"	70"	80"	100"	110"
Distance	0.53 m (1.74 ft)	0.64 m (2.10 ft)	0.75 m (2.46 ft)	0.86 m (2.82 ft)	1.09 m (3.58 ft)	1.20 m (3.94 ft)

Approximate throw distances shown above were calculated on lens design specifications. Please note that up to 5% deviation may result due to lens variation.



SANYO's Digital System Company has received ISO 14001 certification for the environmental management system used in its factory.



Pixelworks ICs are used in this projector

SANYO

SANYO Electric Co., Ltd.
Digital System Company